



IoT Sustainability

## Sol Chip Comm™ SCC-LoRa

Bi-Directional Long-Range  
Wireless Solar/Hydro Tag

**Enabling Autonomous and  
Maintenance-Free Operation of  
Wireless Actuators and Sensors**

SCC-LoRa is an ultra-compact maintenance-free solar-powered wireless tag. SCC-LoRa powers, controls, and wirelessly connects to the cloud a wide variety of actuators and sensors.

**The SCC-LoRa Wireless Solar Tag  
offers Many Advantages:**

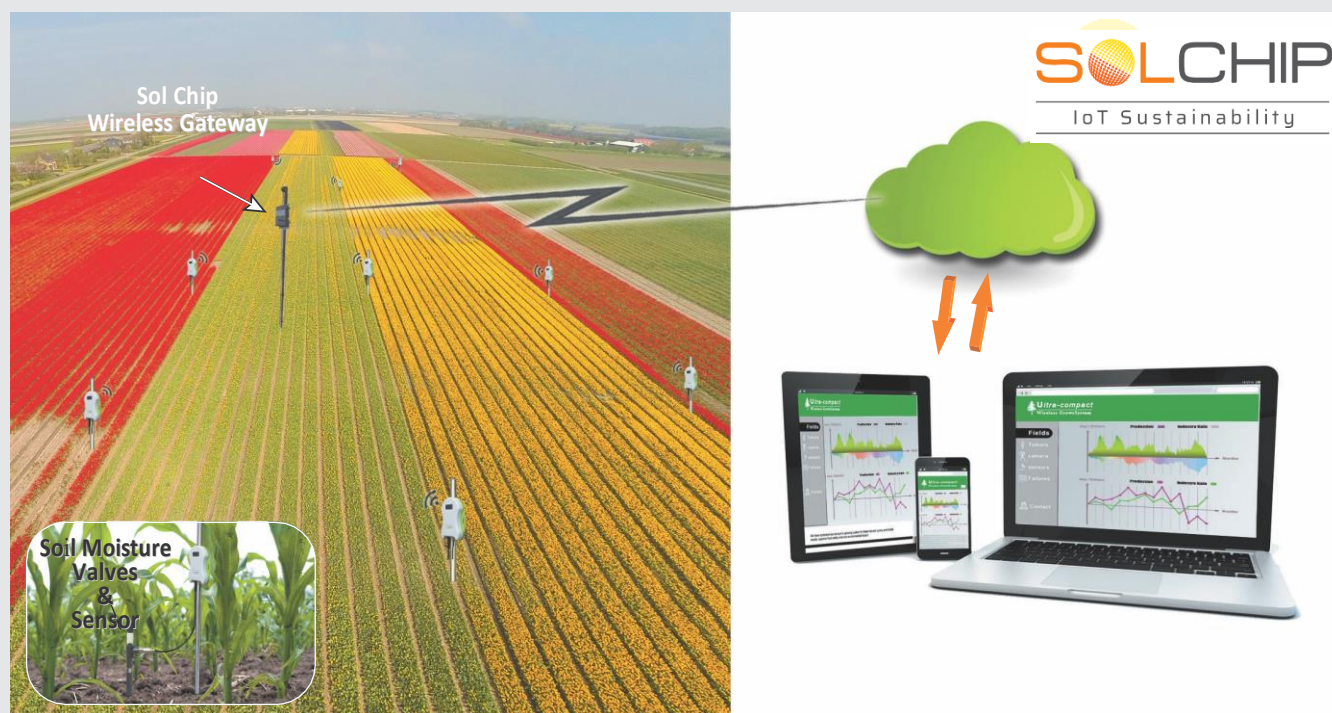
- Autonomous operation of your actuators and sensors – no batteries, no wires
- Solar-powered by Sol Chip's LightBattery™ unique technology with internal energy storage
- Multiple operations per day
- 10 years 24/7 continuous and maintenance free operation
- Small size (13x9x6 cm)
- Simple out of the box installation and re-installation. No need for tooling, network technician, etc.
- All-weather outdoor deployment
- Hundreds of SCC-LoRa tags, wirelessly connected to a single Gateway via license-free 915/868/433MHz radio
- Radio range up to 15Km
- Automatic actuators activation and control
- Automatic, periodical upload of sensors data to the cloud



**The Ultimate Solution for IoT  
Applications that Require Operation of  
Autonomous Sensors and Actuators  
Outdoor Wireless Networks such as in:**

- **Precision Agriculture and farming** – Irrigation and Fertigation valves control, sensors such as: Soil moisture, air humidity and temperature, nutrients level, light radiation, water level, wind speed and direction, rain gauge etc. – open fields and greenhouses
- **Smart Grid** – power grid monitoring, water infrastructure monitoring, water valves control etc
- **Smart Cities** – Smart parking and vehicle management, smart waste bin sensors, occupancy sensors, smart lighting etc.
- **Asset Positioning and Tracking** – heavy machinery and construction equipment, airport equipment, containers etc.
- **Industrial** – Radiation and leak detection, smart sensors technologies, valve control etc.
- **Surveillance** – security and safety sensors: movement, volume, displacement, etc.
- **Environmental Monitoring** – gas sensors, fire sensors, air monitoring and pollution monitoring, pollen, floods detectors
- **Oil and Gas** – pipe monitoring against corrosion, welding defects, and theft, valve control etc.

"Sol Chip's SCC-LoRa Wireless Solar Tags: Enabling efficient implementation of endless IoT applications by wirelessly connecting a single gateway to hundreds of actuators and sensors for up to 15Km range"



## Features and Specifications

### Energy

- Sol Chip's patented LightBattery™ technology, including our Saturn harvesting circuitry
- Specialized rechargeable battery (for thousands of cycles)

### Non-Stop Operation

- Day and night all year round for at least 10 years
- Tolerate no-light condition for at least 20 days
- Multiple actuators operations per day
- Multiple sensor readings and multiple transmissions per day

### Zero Maintenance

- No need to replace battery or service the device in any other way for at least 10 years

### Actuators Interfaces

- 3 DC latch valves
- 2 Open Drain Control outputs

### Sensors Interfaces

- 4 analog DC level (0-5V operation)
- 2 pulse counter (i.e. flow meter, rain gauge, etc.) - or 2 status input

### Mechanical and Environmental

- Wall, stern and pole mountable plastic enclosure
- LightBattery™ chip
- Dimensions: 13x9x6 cm
- Weight: 160-gram
- Ingress protection: IP67
- Temperature range: -40° to 65°C or -20° to 85°C

### Tag – Gateway Wireless Communication

- Standard LoRaWAN radio protocol
- Star topology: hundreds of tags connect to a single wireless gateway
- 915/868/433MHz ISM band
- External antenna
- Up to 15Km range

### Field Controlled Features

- Reset/activate by a magnet (Reed switch) for immediate activation (very useful during installation)

### Gateway Backhaul Options

- GPRS/3G/LTE/Ethernet/Wi-Fi

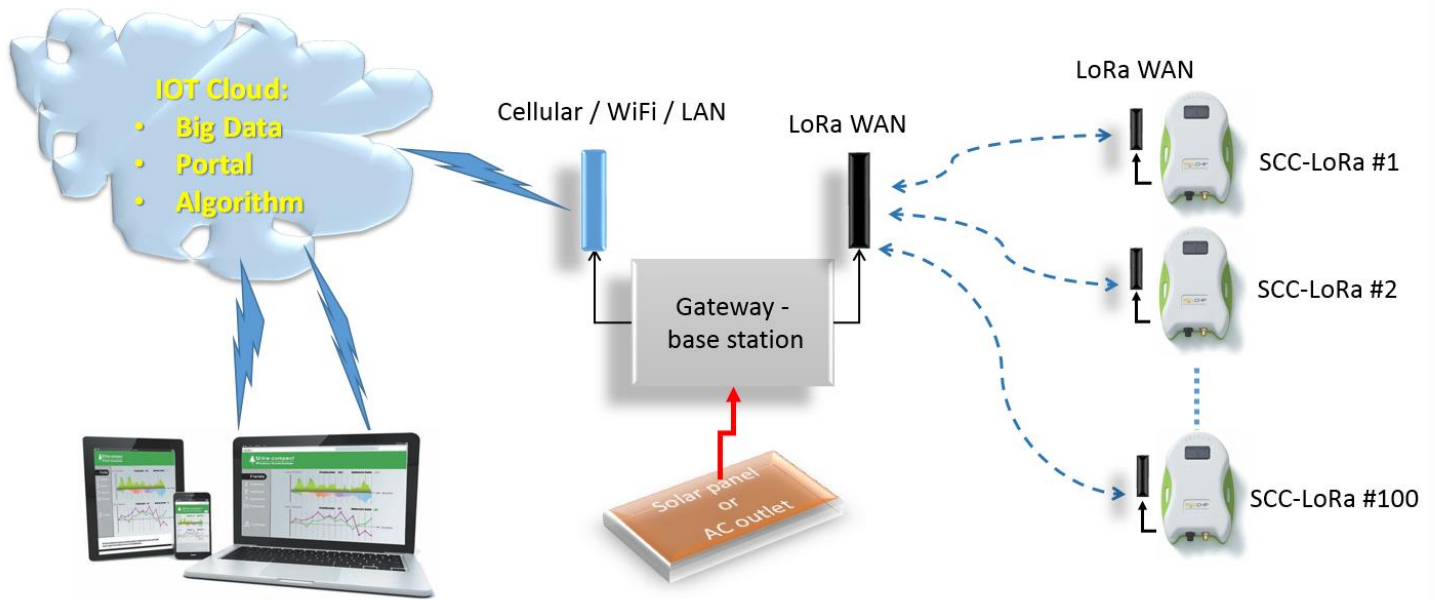
### Server Controlled Features

- Periodical sensor reading at configurable rate
- Periodical sensors data upload to the cloud at configurable rate
- Periodical communication with actuators at configurable rate for on/off activation
- Weekly Irrigation program
- Battery and RF level monitoring

### Web Support

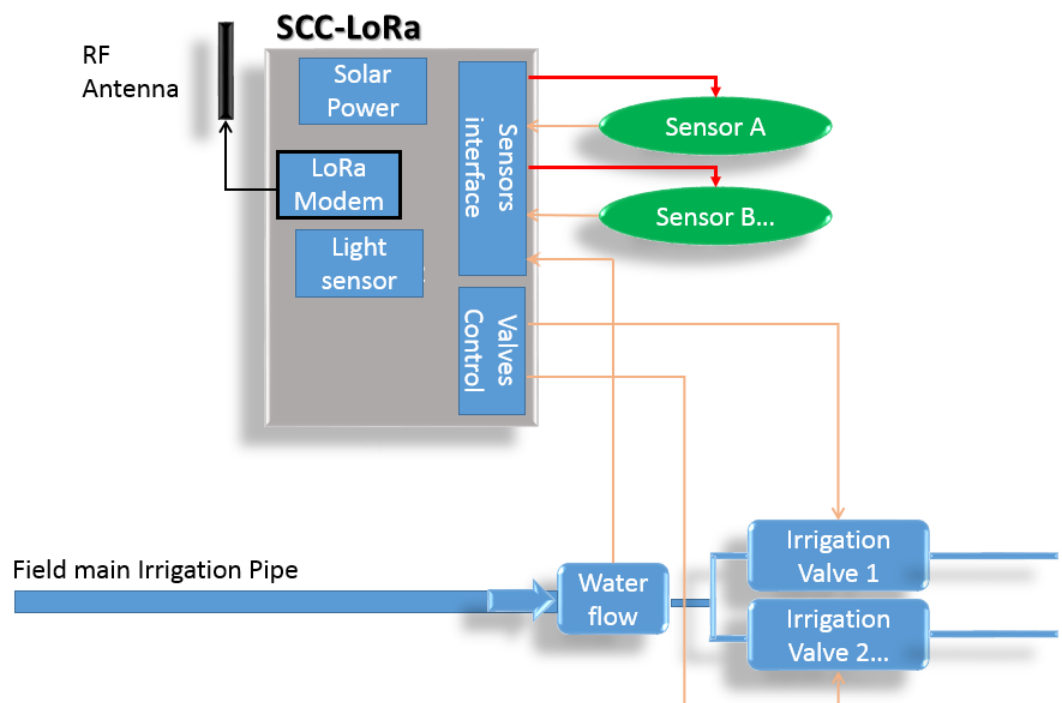
- Web application, pre-integrated with the Sol Chip Comm™ system are available
- The Web application provides real-time and historical sensor data, alerts, graphs, statistics, analysis, control of actuators and actionable recommendation

**SOLCHIP**  
IoT Sustainability



Typical Installation

## Typical SCC-LoRa unit (illustration)



To learn more visit [www.sol-chip.com](http://www.sol-chip.com)

**SOLCHIP**  
IoT Sustainability